

# Illustrated Parts Breakdown

PowerMate D/M Series

Service Manual: 819-180968-000 Rev. 00

Revision Date: 7/13

This subsection contains the illustrated parts breakdown (IPB) and NEC part numbers for the PowerMate desktop computer. Table 5-3 lists the field-replaceable parts for the computer. Figure 5-19 is the illustrated parts breakdown.

**NOTE:** In the U.S., call 1(800) 388-8888 to order NEC spare parts.  
To order options in the U.S., call your local sales office.

**Table 5-3 PowerMate Desktop Field-Replaceable Parts List**

Item	Description	Part Number
1	Power Lamp, Hard Disk Drive Busy Lamp, and Reset Button Assemblies	158-050685-004
2	3 1/2-inch x 1-inch, 1.44-MB Diskette Drive	808-870954-101A
3	3 1/2-inch Drive Bracket	158-050685-009
4	Desktop Chassis	158-050685-002
5	ISA/VL-Bus Backboard Bracket	158-050685-006
6	Diskette Drive Signal Cable	158-050690-000
7	Hard Disk Drive IDE Signal Cable	158-050691-000
8	Power Supply	158-050686-000
9	Top Cover	158-050685-001
10	ISA/VL-Bus Backboard	158-050689-000A
11	5 1/4-inch Device cage	158-050685-011
12	Heatsink for 486SX-33 and 486DX2-66 CPU	158-060299-000
13 A	486SX-33 CPU PowerMate 433D	802-147605-004A
13 B	486DX2-66 CPU PowerMate 466D	802-148060-003A
14	4-MB SIMM Stick	158-082457-000
15	Battery	158-056137-000
16	System Board (without CPU)	158-050687-000A
17	Speaker Assembly	158-050685-003
18	Power Button Cover and Spring	158-050685-008
19	Front Panel	158-050685-007
20	5 1/4-inch Blank Panel (2)	158-050685-010
21 A	PowerMate 433D Logo	158-030580-000
21 B	PowerMate 466D Logo	158-030580-002
22	NEC Mouse (PS/2-compatible)	158-050484-002
23 A	3 1/2-inch x 1-inch, 270-MB Hard Disk	158-050693-000
23 B	3 1/2-inch x 1-inch, 340-MB Hard Disk	158-050693-001
23 C	3 1/2-inch x 1-inch, 420-MB Hard Disk	158-050693-002
24	Power Cord	158-050697-000
25	Keyboard	158-050707-000

# Illustrated Parts Breakdown

PowerMate D/M Series

Service Manual: 819-180968-000 Rev. 00

Revision Date: 7/13

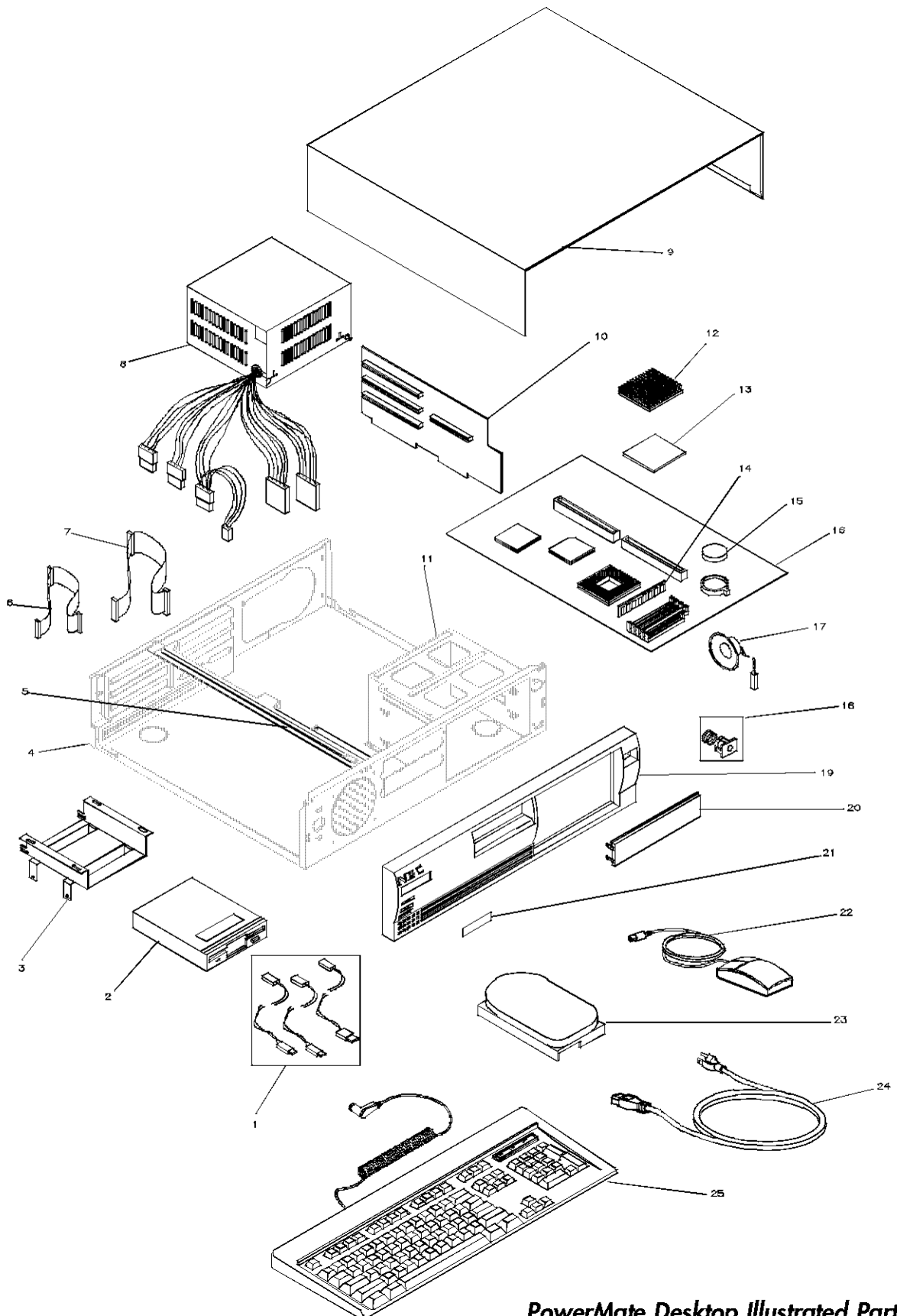


Figure 5-19

PowerMate Desktop Illustrated Parts Breakdown

# Illustrated Parts Breakdown

Table 5-4 lists the PowerMate desktop options.

*Table 5-4 PowerMate Desktop Options*

Description	Part Number
4-MB SIMM Upgrade Kit (1 MB x 32-bit)*	158-053746-000
8-MB SIMM Upgrade Kit (2 MB x 32-bit)*	158-053746-001
16-MB SIMM Upgrade Kit (4 MB x 32-bit)*	158-053746-003
32-MB SIMM Upgrade Kit (8 MB x 32-bit)*	158-053746-002
256-KB Secondary Cache Kit	158-053745-000
1-MB DRAM Module and 128-KB Cache Chip Video Kit	158-053747-000
1.2-MB Diskette Drive Kit	158-053476-000
270-MB Hard Disk Drive Kit	158-053407-011
340-MB Hard Disk Drive Kit	158-053437-008
420-MB Hard Disk Drive Kit	158-053407-013
NEC SVGA Monitor	158-053605-000
MultiSync 3FGe Color Monitor	08119705
MultiSync 4FGe Color Monitor	08119709
MultiSync 5FGe Color Monitor	08119343
MultiSync 6FG Color Monitor	08119337
Printer Cable	808-857782-001A
RS-232C Cable	808-857781-001A

\* All PowerMate Series SIMM kits have tin edge connectors.

Table 5-5 lists PowerMate desktop documentation and packaging.

*Table 5-5 PowerMate Desktop Documentation and Packaging*

Description	Part Number
PowerMate Series System User's Guide	819-180950-000
PowerMate Series Quick Setup	819-180955-000
PowerMate Series Service and Reference Manual	819-180968-000
PowerMate Desktop Shipping Carton	158-040442-000
Shipping Carton Inserts (4)	158-040395-004

# Illustrated Parts Breakdown

PowerMate D/M Series

Service Manual: 819-180968-000 Rev. 00

Revision Date: 7/13

This subsection contains the illustrated parts breakdown (IPB) and NEC part numbers for the PowerMate minitower computer. Table 6-3 lists the field-replaceable parts for the computer. Figure 6-20 is the illustrated parts breakdown.

**NOTE:** In the U.S., call 1(800) 388-8888 to order NEC spare parts.  
To order options in the U.S., call your local sales office.

**Table 6-3 PowerMate Minitower Field-Replaceable Parts List**

Item	Description	Part Number
1 A	3 1/2-inch x 1-inch, 340-MB Hard Disk	158-050693-001
1 B	3 1/2-inch x 1-inch, 420-MB Hard Disk	158-050693-002
2	5 1/4-inch Device cage	158-050698-011
3	3 1/2-inch x 1-inch, 1.44-MB Diskette Drive	808-870954-101A
4	3 1/2-inch Drive Bracket	158-050698-009
5	ISA/VL-Bus Backboard	158-050701-000A
6	4-MB SIMM Stick	158-082457-000
7	Diskette Drive Signal Cable	158-050690-000
8	Hard Disk Drive IDE Signal Cable	158-050691-000
9	5 1/4-inch Blank Panel (3)	158-050698-010
10	Front Panel	158-050698-007
11	Power Button Cover and Spring	158-050698-008
12 A	PowerMate 466M Logo	158-030581-000
12 B	PowerMate 4100M Logo	158-030581-001
13	Top Cover	158-050698-001
14	Power Lamp, Hard Disk Drive Busy Lamp, and Reset Button Assembly	158-050698-004
15	System Board (without CPU)	158-050687-000A
16 A	486DX2-66 CPU (PowerMate 466M)	802-148060-003A
16 B	486DX4-100 CPU (PowerMate 4100M)	802-148892-003A
17 A	Heatsink for 486DX2-66 CPU	158-060299-000
17 B	Heatsink for 486DX4-100 CPU	158-060298-000
18	Battery	158-056137-000
19	Power Supply	158-050699-000
20	Minitower Chassis	158-050698-002
21	NEC Mouse (PS/2-compatible)	158-050484-002
22	Keyboard	158-050707-000
23	Speaker Assembly	158-050698-003
24	Power Cord	158-050697-000
25	ISA/VL-Bus Backboard Bracket	158-050698-006

# Illustrated Parts Breakdown

PowerMate D/M Series

Service Manual: 819-180968-000 Rev. 00

Revision Date: 7/13

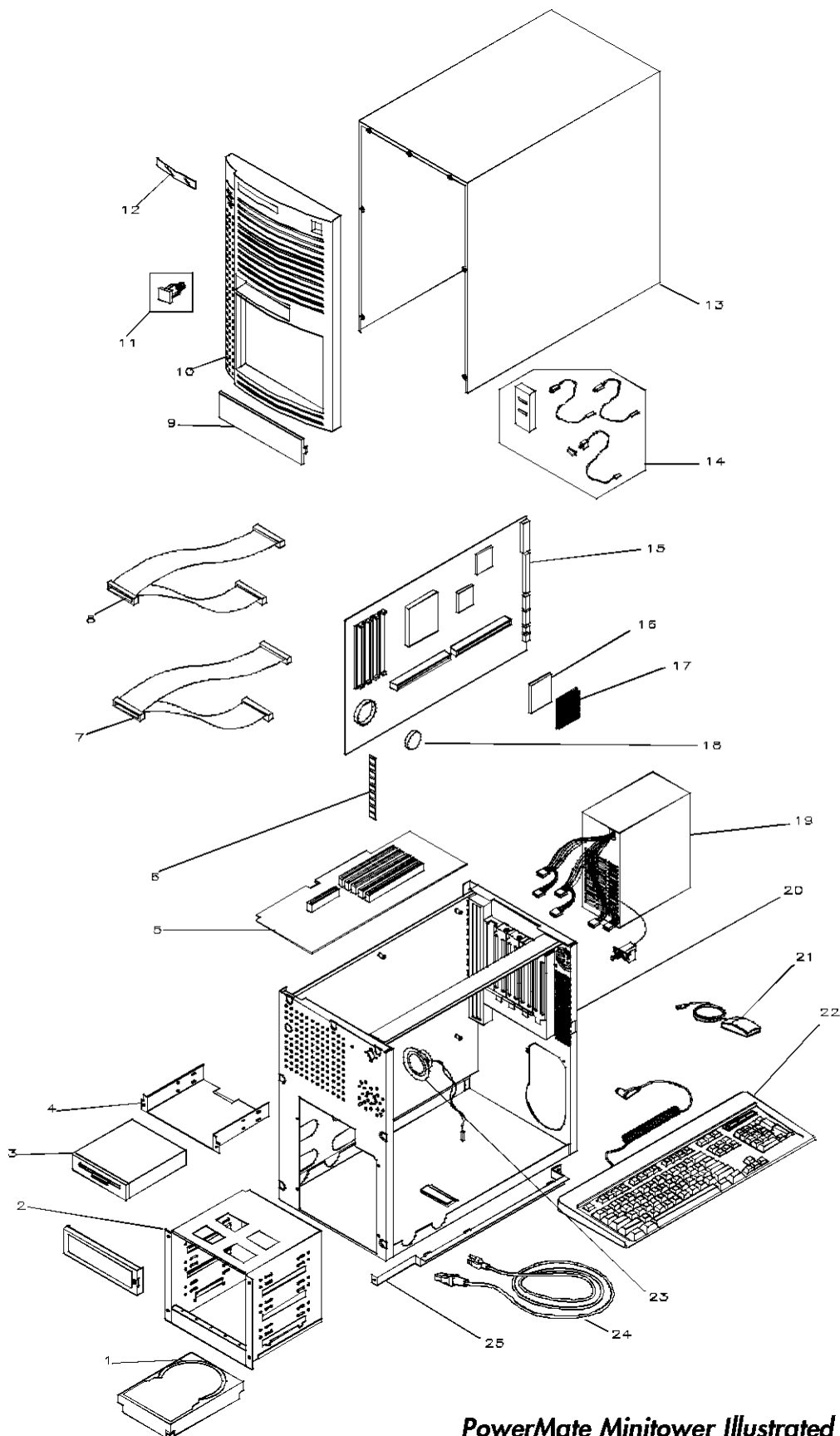


Figure 6-20

PowerMate Minitower Illustrated Parts Breakdown

# Illustrated Parts Breakdown

PowerMate D/M Series

Service Manual: 819-180968-000 Rev. 00

Revision Date: 7/13

Table 6-4 lists the PowerMate minitower options.

**Table 6-4 PowerMate Minitower Options**

Description	Part Number
4-MB SIMM Upgrade Kit (1 MB x 32-bit)*	158-053746-000
8-MB SIMM Upgrade Kit (2 MB x 32-bit)*	158-053746-001
16-MB SIMM Upgrade Kit (4 MB x 32-bit)*	158-053746-003
32-MB SIMM Upgrade Kit (8 MB x 32-bit)*	158-053746-002
256-KB Secondary Cache Kit	158-053745-000
1-MB DRAM Module and 128-KB Cache Chip Video Kit	158-053747-000
1.2-MB Diskette Drive Kit	158-053476-000
270-MB Hard Disk Drive Kit	158-053407-011
340-MB Hard Disk Drive Kit	158-053437-008
420-MB Hard Disk Drive Kit	158-053407-013
NEC SVGA Monitor	158-053605-000
MultiSync 3FGe Color Monitor	08119705
MultiSync 4FGe Color Monitor	08119709
MultiSync 5FGe Color Monitor	08119343
MultiSync 6FG Color Monitor	08119337
Printer Cable	808-857782-001A
RS-232C Cable	808-857781-001A

\* All PowerMate Series SIMM kits have tin edge connectors.

Table 6-5 lists PowerMate minitower documentation and packaging.

**Table 6-5 PowerMate Minitower Documentation and Packaging**

Description	Part Number
PowerMate Series System User's Guide	819-180950-000
PowerMate Series Quick Setup	819-180955-000
PowerMate Series Service and Reference Manual	819-180968-000
PowerMate Minitower Series Shipping Carton	158-040446-000
Shipping Carton Inserts (4)	158-040395-004