

NEC Versa DayLite/UltraLite 3-Cell Removable Battery

Congratulations on purchasing a 3-cell Removable Battery (kit OP-570-74703) for your NEC Versa® DayLite™ or NEC Versa UltraLite™ notebook computer!

NEC Versa DayLite and UltraLite notebooks use two rechargeable batteries: a non-removable lithium polymer Internal Battery, and a lithium-ion Removable Battery. These batteries allow you to run your system when the system is not plugged into a 120- or 240-volt, 50- or 60-Hz wall outlet. When you run your system on battery power, both of these batteries are used to power the system.

Before installing the battery be sure to read the information in this document about:

- Features
- Removing the Existing Removable Battery
- Installing the 3-Cell Removable Battery
- Charging the Battery
- Determining Battery Status
- General Battery Precautions
- Battery Disposal
- Battery Specifications

 **WARNING** To prevent accidental battery ignition or explosion, adhere to the following:

- Keep the battery away from extreme heat.
- Keep metal objects away from the battery connector to prevent a short circuit.
- Make sure the battery is properly installed in the battery bay.
- Do not alter or disassemble the battery.
- Read any precautions printed on the battery.

Keep the following in mind when removing or replacing a battery.

- Use only the battery designed for your system in your NEC Versa notebook computer. Mixing other manufacturers' batteries, or using a combination of very old and new batteries can deteriorate battery and equipment performance.
- Clean the battery connector with a dry cloth when it gets dirty.
- Keep the battery out of the reach of children.

Features

The 3-cell Removable Battery is a rechargeable Lithium Ion (Li-Ion) battery that is easy to install and remove.

Removable Lithium-Ion battery



A – Battery Connectors

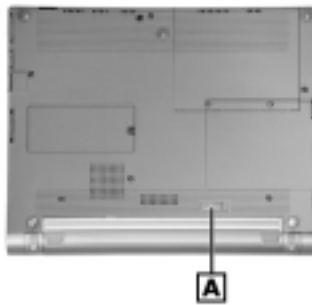
B – Alignment Grooves

Removing the Existing Removable Battery

Use the following steps to remove the existing Removable Battery from the system.

1. Save your files, exit the Microsoft® Windows® operating system, turn off system power, and unplug the system.
2. Close the LCD panel and turn over the system.
3. Slide the battery release latch toward the right side of the system and hold firmly.

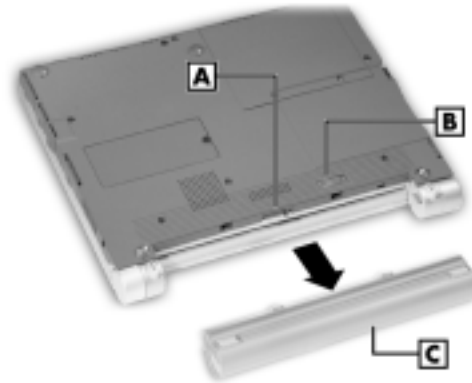
Locating the battery release latch



A – Battery Release Latch

-
4. Holding the battery release latch, slide the battery out of the system.

Removing the battery



A – Battery Bay Connectors
B – Battery Release Latch

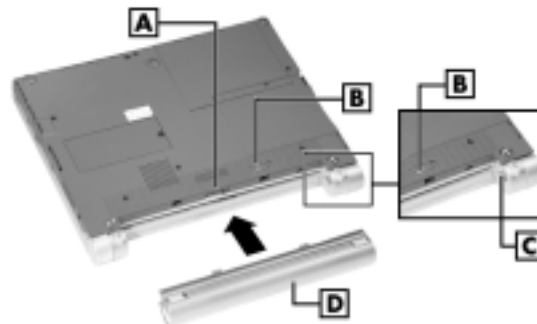
C – Removable Battery

Installing the 3-Cell Removable Battery

Install your new battery as follows:

1. Locate the alignment grooves on the left and right edges of the battery.
2. Locate the alignment grooves inside the battery bay.
3. Align the grooves on the battery with the grooves in the battery bay.
4. Slide the battery into the bay until securely locked into place.

Inserting the battery



A – Battery Bay Connectors
B – Battery Release Latch

C – Alignment Grooves
D – Removable Battery

5. Turn the system over.

Charging the Battery

Charge the Internal Battery and the Removable Battery by simply connecting your NEC Versa system to an AC power source. To monitor the charging activity, observe the battery charging LED on the front of the system. The battery charging LED lights as follows:

- Lights amber when the Internal Battery is charging.
- Blinks amber if the Internal Battery encounters an error while charging.
- Lights green when the Removable Battery is charging.
- Blinks green if the Removable Battery encounters an error while charging.



CAUTION During charging, keep the environmental temperature between 32°F and 104°F (0°C to 40°C).

For directions on getting a detailed battery status, see the section, “Determining Battery Status.”

Determining Battery Status

Your NEC Versa system provides tools to help you keep track of the power levels of both the Internal Battery and the Removable Battery. If your system is configured (default setting) to display the Power icon on the taskbar, an electrical plug appears when the system is connected to an AC power source and a battery icon displays when the system is not connected to an AC power source.

Use the system’s power meter to determine battery status. Access the system’s power meter in the following ways:

- Move the cursor over the Power icon on the taskbar to display the remaining battery power for the system’s Internal Battery.
- Right click the Power icon on the taskbar to open the power meter or to adjust power properties.
- Double click the Power icon on the taskbar to display the remaining power for *both* the Internal Battery *and* the Removable Battery.
- Go to Start, Settings, Control Panel, and double click the Power Management icon and select the Power Meter tab.

General Battery Precautions

To prevent accidental battery ignition, rupture, or explosion, adhere to the following precautions.

! WARNING There is a danger of explosion if the battery is incorrectly replaced. Replace only with the same or equivalent type recommended by the manufacturer. Discard used batteries according to the manufacturer's instructions.

To avoid personal injury and property damage, read these battery precautions on handling, charging, and disposing Li-Ion batteries.

- Keep the battery away from heat sources including direct sunlight, open fires, microwave ovens, and high-voltage containers. Temperatures over 140° F (60°C) may cause damage.
- Do not drop or impact the battery.
- Do not disassemble the battery.
- Do not solder the battery.
- Do not puncture the battery.
- Do not use a battery that appears damaged or deformed, has any rust on its casing, is discolored, overheats, or emits a foul odor.
- Keep the battery dry and away from water.
- Keep metal objects away from battery connector. Metal objects in contact with the connector can cause a short circuit and damage.

! WARNING If the battery leaks:

- If the battery leaks onto skin or clothing, wash the area immediately with clean water. Battery fluid can cause a skin rash and damage fabric.
- If battery fluid gets into eyes, DO NOT rub; rinse with clear water immediately and consult a doctor.
- Take extra precautions to keep a leaking battery away from fire. There is a danger of ignition or explosion.

Battery Disposal

The 3-cell Removable Battery is a lithium ion (Li-Ion) battery.

Do not place used batteries in your regular trash. The batteries must be collected, recycled, or disposed of in an environmentally approved manner.

Contact your local waste management officials for other information regarding the environmentally sound collection, recycling, and disposal of the batteries.

Battery Specifications

- 3-cell lithium ion (Li-Ion) battery
- removable system battery
- output voltage of 10.9V, 2000 mAh

Information in this publication is subject to change without notice. NEC is a registered trademark, Versa is a U.S. registered trademark, and DayLite and UltraLite are trademarks of NEC Corporation and/or one or more of its subsidiaries. All are used under license. Microsoft and Windows are registered trademarks of Microsoft Corporation. All other trademarks and registered trademarks are the property of their respective owners. Printed in the U.S.A. 07/2001.

©2001 NEC Computers Inc.

NEC

NEC Computers Inc.

819-200860-000
07/2001

