

---

# NEC Versa® SXi/VXi/VX NEC Port Replicator

Congratulations on your purchase of the NEC Port Replicator for the NEC Versa SXi/VXi/VX notebook computer! The NEC Port Replicator duplicates some of the ports found on your NEC Versa system. Also, the NEC Port Replicator adds a second PS/2 port, provides a LAN port for network connection, and provides a Kensington lock bracket for securing both the replicator and the NEC Versa system. Keep the NEC Port Replicator in your office connected to peripherals while you take your NEC Versa on the road.

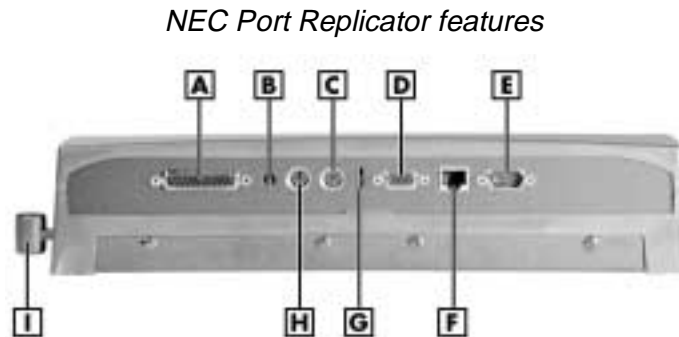
An AC adapter ships with the NEC Port Replicator.

In addition to introducing the NEC Port Replicator features, this sheet describes the following:

- Attaching the NEC Port Replicator to the NEC Versa
- Using the Kensington lock bracket
- Disconnecting the NEC Port Replicator from the NEC Versa

## ***NEC Port Replicator Features***

The following figure shows the NEC Port Replicator features, which are described after the figure.



- |                                   |                               |                            |
|-----------------------------------|-------------------------------|----------------------------|
| <b>A</b> – Parallel Device Port   | <b>D</b> – Monitor Port       | <b>G</b> – USB Device Port |
| <b>B</b> – AC Power Port          | <b>E</b> – Serial Device Port | <b>H</b> – Mouse Port      |
| <b>C</b> – External Keyboard Port | <b>F</b> – Ethernet LAN Port  | <b>I</b> – Docking Lever   |

- Parallel Device Port — Connects to a parallel device.
- AC Power Port — Connects to the AC adapter for AC power operation and battery recharging.
- External Keyboard Port — Connects to a 6-pin standard PS/2-style keyboard.
- Monitor Port — Connects to an external VGA/SVGA monitor.
- Serial Device Port — Connects to a serial device, such as an external modem.
- Ethernet LAN Port — Connects the NEC Versa system to a network. This port is a pass-through connection to the NEC Versa system's built-in LAN connection, if present.
- USB Device Port — Connects to a USB device or chain of USB devices.

- 
- Mouse Port — Connects to a 6-pin standard PS/2-style mouse.
  - Docking Lever — Docks and undocks the NEC Port Replicator to your NEC Versa system.

## ***Attaching the NEC Port Replicator***

Follow these steps to attach the NEC Port Replicator to your NEC Versa.

1. Turn off the NEC Versa system.
2. Remove any devices connected to the back of the NEC Versa.
3. Locate the docking lever on the right side of the NEC Port Replicator. Push the docking lever towards the rear of the Replicator.

### *Locating the docking lever*



**A** – Docking Lever

4. Open the port cover on the rear of the NEC Versa. Remove the expansion port cover by pulling it out of its slot in the port cover. Close the port cover.

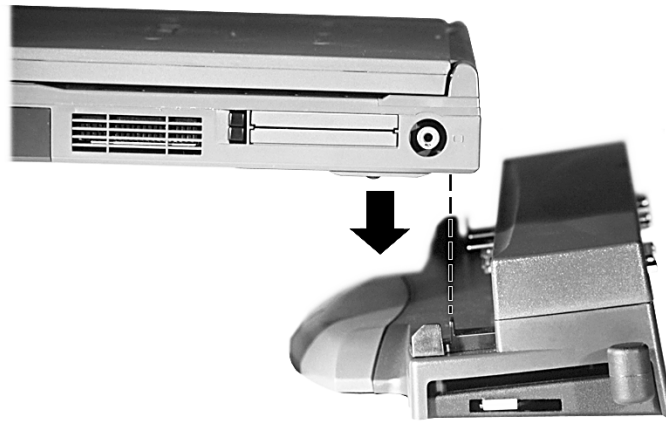
### *Removing the expansion port cover*



**A** – Expansion Port Cover

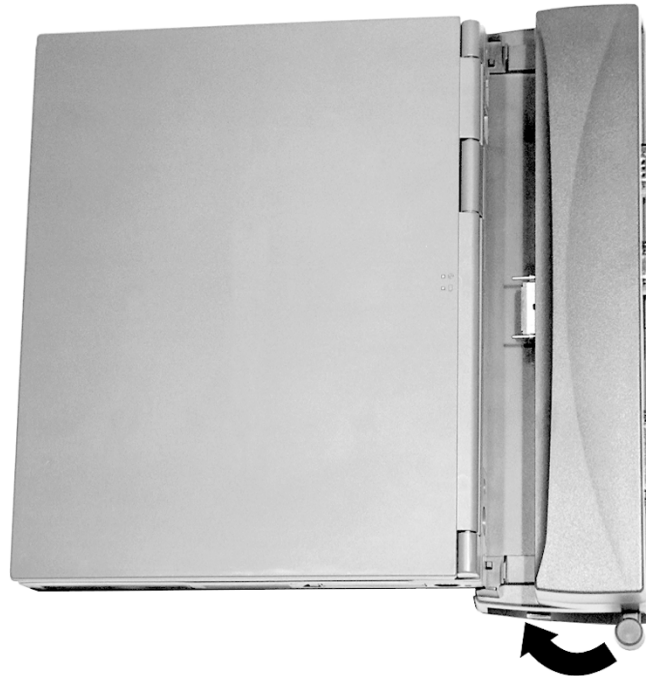
- 
5. Place the NEC Versa system's rear bottom corners on the side guides of the NEC Port Replicator.

*Positioning the NEC Versa on the Replicator*



6. Pull the docking lever of the Replicator forward to securely dock the NEC Versa.

*Connecting the NEC Port Replicator*



---

**Note** If your NEC Versa VXi/VX system has a built-in modem, you cannot use the modem with the NEC Port Replicator connected. The NEC Port Replicator covers the modem port.

---

---

## ***Using the Kensington Lock Bracket***

The Kensington lock bracket along with the Kensington cable, attached to the desk supporting the Replicator, secures the Replicator and the NEC Versa system to the desk. The Kensington lock bracket is located inside the Replicator near the docking lever. Secure the NEC Versa system and the NEC Port Replicator using the Kensington lock bracket as follows.

1. Position the NEC Versa system onto the NEC Port Replicator as shown in “Attaching the NEC Port Replicator.”
2. Secure the NEC Versa system to the Replicator by pulling the docking lever forward.
3. Pull the Kensington lock bracket out from the right side of the NEC Port Replicator.

### *Pulling out the bracket*



4. Lock the Kensington cable from the desk to the lock bracket around the leg of the desk. The lock keeps the docking lever in the locked position and secures the replicator to the desk.

---

## ***Disconnecting the NEC Port Replicator***

Disconnect the NEC Port Replicator from your NEC Versa as follows.

1. Turn off the NEC Versa system.
2. Push the docking lever of the NEC Port Replicator towards the rear of the Replicator.

### ***Disconnecting the NEC Port Replicator***



3. Lift the NEC Versa up and away from the NEC Port Replicator.

---

**NEC**

NEC Computers Inc.

819-200709-000  
10/2000

