

System Release Notes

Express5800/120Lf System Release Notes

Proprietary Notice and Liability Disclaimer

The information disclosed in this document, including all designs and related materials, is the valuable property of NEC Solutions (America), Inc. and/or its licensors. NEC Solutions (America), Inc. and/or its licensors, as appropriate, reserve all patent, copyright and other proprietary rights to this document, including all design, manufacturing, reproduction, use, and sales rights thereto, except to the extent said rights are expressly granted to others.

The NEC Solutions (America), Inc. product(s) discussed in this document are warranted in accordance with the terms of the Warranty Statement accompanying each product. However, actual performance of each product is dependent upon factors such as system configuration, customer data, and operator control. Since implementation by customers of each product may vary, the suitability of specific product configurations and applications must be determined by the customer and is not warranted by NEC Solutions (America), Inc.

To allow for design and specification improvements, the information in this document is subject to change at any time, without notice. Reproduction of this document or portions thereof without prior written approval of NEC Solutions (America), Inc. is prohibited.

Trademarks

Windows 2000 and Windows NT are registered trademarks of Microsoft Corporation.

Novell and NetWare are registered trademarks of Novell, Inc.

SCO OpenServer is a trademark of Caldera Systems, Inc.

All other product, brand, or trade names used in this publication are the trademarks or registered trademarks of their respective trademark owners.

April 2002

Copyright 2001, 2002
NEC Solutions (America), Inc.
15 Business Park Way
Sacramento, CA 95828
All Rights Reserved

Express5800/120Lf System Release Notes

The *Express5800/120Lf System Release Notes* provide up-to-date information on your system. These notes also provide additional valuable information about your system that was not included in the user's guide.

Please read these notes in their entirety.

CONTENTS

Introduction	3
General Comments	3
Advisories	3
EXPRESSBUILDER	3
Documentation Errata	5
Express5800 Series 120Lf User's Guide.....	5

Introduction

These System Release Notes cover the following topics:

- General Comments
- Advisories
- Documentation Errata

General Comments

The following general comments apply to this server.


- Versions of the Network Operating Systems tested and recommended are:
 - Windows[®] 2000 with Service Pack 2
 - Windows NT[®] 4.0 Server with Service Pack 6
 - Novell[®] NetWare[®] 5.1
 - SCO OpenServer[™] 5.06.

Advisories

EXPRESSBUILDER

The following advisories apply to EXPRESSBUILDER.

- EXPRESSBUILDER Express Setup always configures the Windows 2000 TCP/IP Protocol IP settings to "Obtain an IP address automatically" (DHCP), regardless of the IP address setting specified in Express Setup. If static TCP/IP addressing is required, TCP/IP must be reconfigured. Refer to Windows documentation for instructions.
- After installing Windows 2000, the Windows 2000 Device Manager may show an NEC GEM SCSI Processor Device and/or an Unknown Device under Other Devices. The Unknown Device is a reference to the baseboard management controller. Installing the ESMPRO Agent can clear both of these conditions.
- Windows 2000 and Windows NT 4.0 must be installed using EXPRESSBUILDER Express Setup to take full advantage of NEC specific software for your server.

 **Note:** This advisory does not apply if your operating system was preloaded at the factory.

-
- EXPRESSBUILDER Express Setup does not support installation of Windows 2000 Service Pack 2. After installing Windows 2000, close Express Setup, remove the EXPRESSBUILDER CD, and install Windows 2000 Service Pack 2 using the Microsoft Service Pack 2 media.
 - Unspecified results may occur if Windows NT 4.0 is installed without using EXPRESSBUILDER Express Setup. Always use EXPRESSBUILDER Express Setup when installing Windows NT 4.0 Server with Service Pack 6.
 - If you already have an operating system installed when creating a maintenance partition, EXPRESSBUILDER will warn you of the existing partition. If you want to preserve the installed operating system, do not create the maintenance partition or the existing operating system will be overlaid by the maintenance partition.
 - The Administrator Menu in the System Information Management segment of the Offline Maintenance Utility is accessible only by NEC authorized service representatives.
 - EXPRESSBUILDER operates in floppy emulation mode. The emulated floppy drive portion of your system CD-ROM is designated Drive A and the remaining portion(s) of the CD-ROM is designated Drive Q. Your system diskette drive is Drive B. After creating the Off-line Maintenance Utility diskette, EXPRESSBUILDER prompts you to remove the diskette from Drive B. At this prompt, remove the diskette from your diskette drive.
 - The server must be powered OFF in order to perform an MWA connection check.

Documentation Errata

Express5800 Series 120Lf User's Guide

- Please note the following addition to the *Express5800 Series 120Lf User's Guide, 456-01575-001*. Replace the RAID controller installation procedure on page 4-31 of user's guide with the following text.

Use this procedure to install a RAID controller board.

1. Install the RAID controller board into any PCI slot on the system board. See *Installing an Option Board* described earlier in this chapter.
2. Cable the RAID controller board as described below:
 - Remove the end of the SCSI interface cable (1) that is plugged into the Ultra 160 SCSI hard disk drive bay connector (SCSI A) on the system board. See Figure 4-27.
 - Reinstall the end of the SCSI interface cable (2) just removed into the Channel 0 connector on the RAID board.

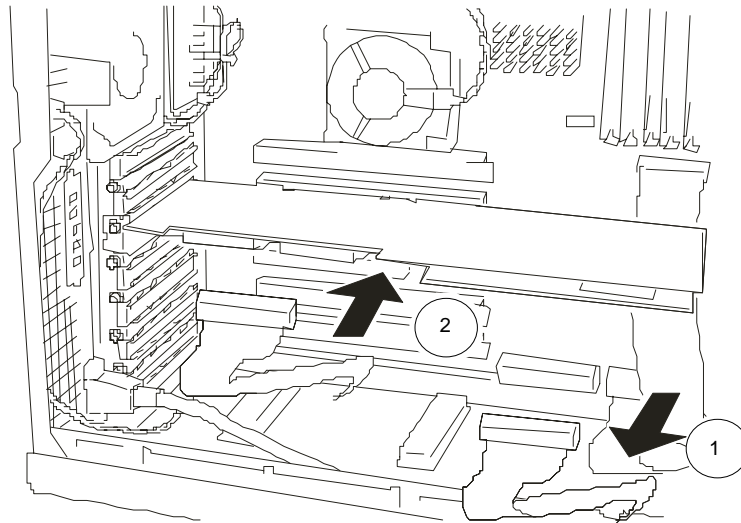
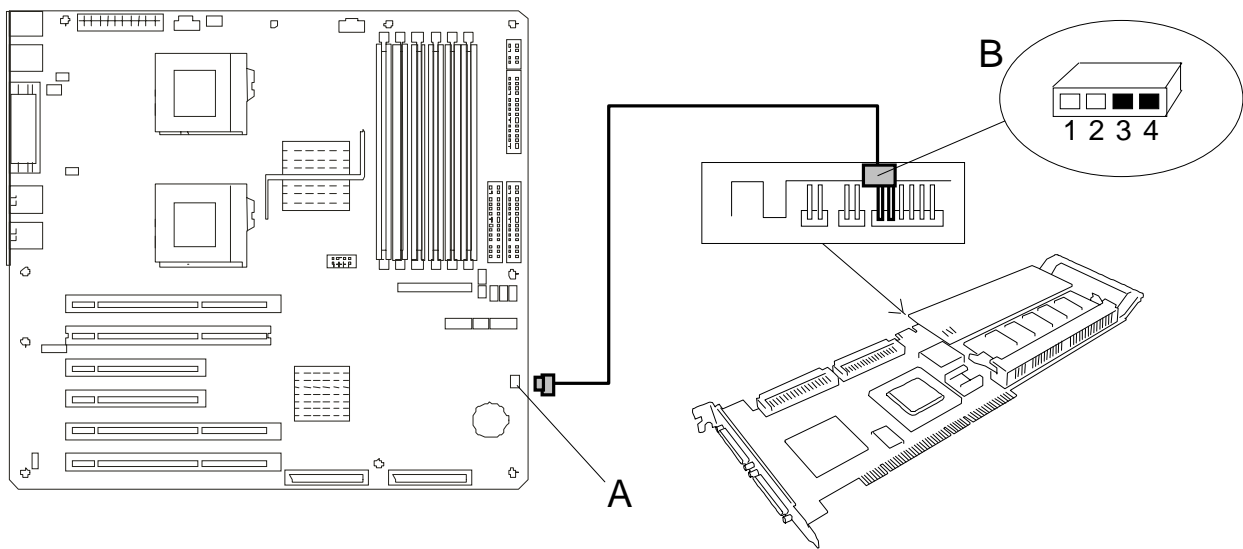


Figure 4-27. Cabling the RAID Controller Board

- The disk array controller LED cable has a white connector on one end and a black connector on the other end of the cable. Install the white end of the disk array controller LED cable into the LED cable connector on the system board connector (Figure 4-28, A). This connector is keyed for easy installation.
- Install the black end of the disk array controller LED cable into the LED cable connector pins on the RAID controller board. See Figure 4-28, B. Notice that only two of the four pins of the connector at this end of the LED cable are used. Position the connector over the pins on the RAID controller board as shown in Figure 4-28. The connector must be positioned so that either pins 1 and 2 or 3 and 4 of the cable connector are connected to the board.



A	System board LED cable connector
B	Disk Array Controller LED connector

Figure 4-28. Installing the DAC LED Cable