

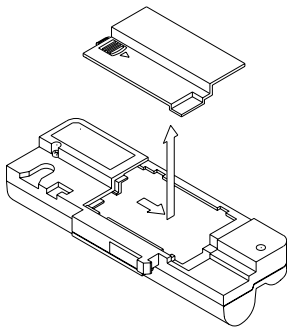
# MC-BA10

## AA Battery Adapter

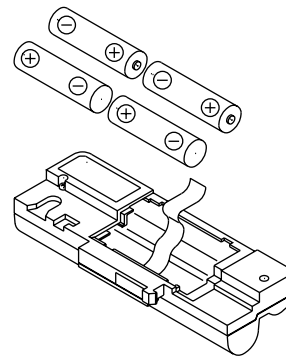
### User's Guide

---

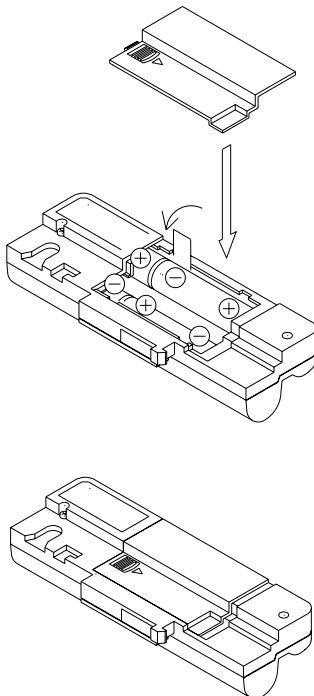
#### Inserting the AA Alkaline batteries



1. Slide the battery cover in the direction of the arrow, as shown in the figure.
2. Lift and remove the battery cover.

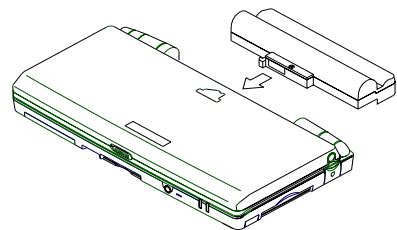


3. Insert four AA Alkaline batteries into the battery bay. Be sure to set the polarity (+ and -), as shown in the figure.



4. Bend the ribbon inside the battery bay to secure the batteries.
5. Verify that the polarity of the batteries is correctly situated.
6. Close the battery cover and slide it securely back into place.

#### Inserting the AA Battery Adapter into the MobilePro battery bay.



Insert the AA Battery Adapter into the battery bay in the direction of the arrow, as shown in the figure. Be sure to slide the release lock back to the locked position. For more details, refer to the battery insertion instructions in the user's guide.

The AA Battery Adapter is designed for periodic use. Use the AA Battery Adapter when the charge in the Lithium-Ion battery pack (MC-BA9) is low.

AA batteries are not included with this battery adapter product. Batteries must be purchased separately.



## WARNING

To prevent accidental battery ignition, rupture, explosion, or leakage, adhere to the following precautions.

- Verify the polarity of the inserted AA batteries before use.
- Do not use other manufacturer's batteries.
- Do not leave the AA Alkaline batteries in the battery adapter or in the NEC MobilePro for an extended (several months) period of time.
- Remove the AA Alkaline batteries when not in use.



## WARNING

If you detect excessive heat emitting from the AA Battery Adapter or the NEC MobilePro, remove the adapter immediately and contact the place of purchase.

To prevent fire, smoke or system malfunctions, adhere to the following guidelines.

- Do not disassemble.
- Do not drop or impact the battery adapter.



## CAUTION

To optimize the performance of your AA Battery Adapter, follow these guidelines.

- Use only AA alkaline batteries.
- To conserve battery life, be sure to configure the backlight's power savings options.
- Refer to the *NEC MobilePro User's Guide* for information on configuring backlight power savings settings.
- A low battery alarm may not occur when using the AA battery adapter. If using AA batteries, change the batteries periodically; otherwise use the Lithium battery pack or AC adapter.