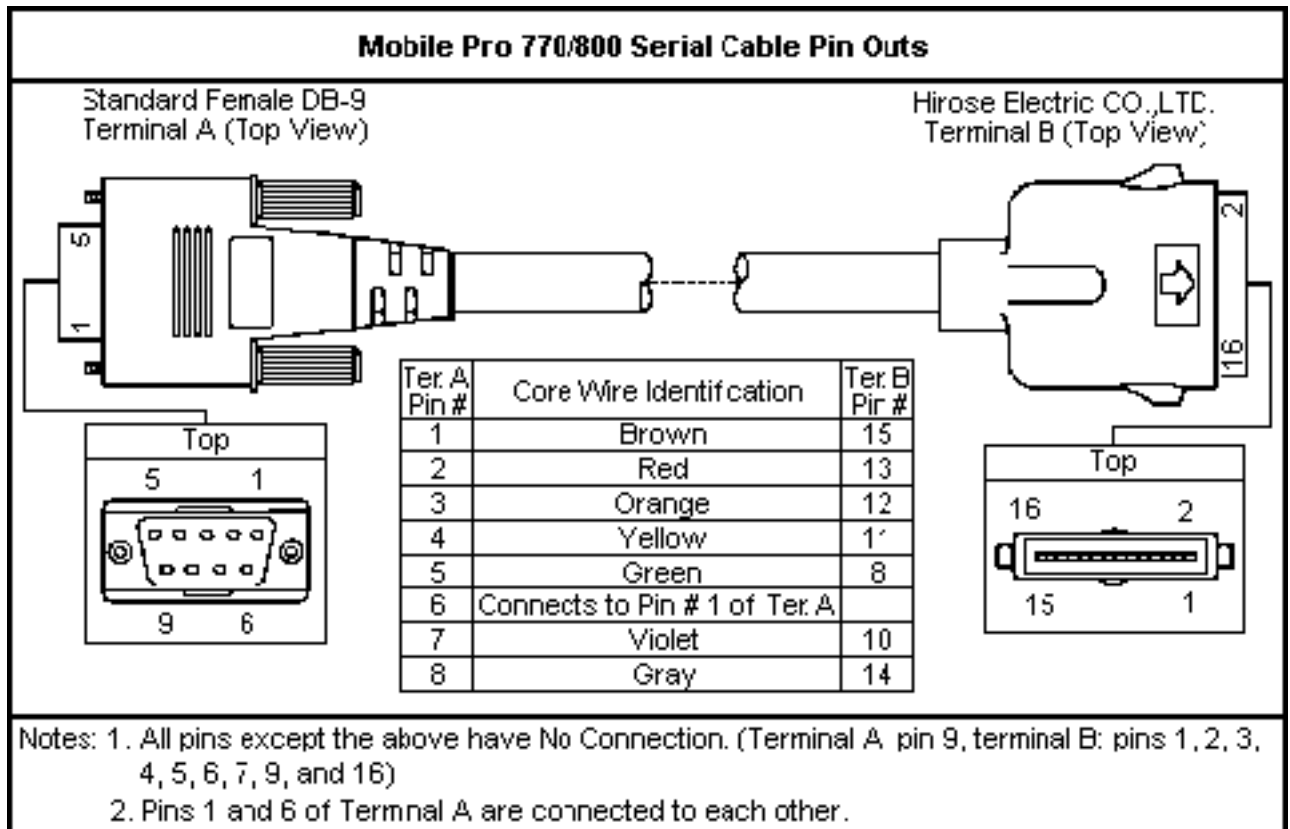


## Serial Cable Pinouts

- Supply Voltage:5.5V-4.0V
- Supply Current: 50mA(Max)

### Terminal B Pin assignments

- 01 N.C.
- 02 N.C.
- 03 N.C.
- 04 Power Supply
- 05 N.C.
- 06 N.C.
- 07 N.C.
- 08 GND
- 09 DR
- 10 CS
- 11 CD
- 12 RD
- 13 SD
- 14 RS
- 15 ER
- 16 GND



	Terminal A (DSUB side) Connector pin No.	Core wire identification		Terminal B (HIROSE ELECTRIC CO.,LTD. Tokyo, Japan) Connector pin No.	Signal name
DCD	1	Brown	1 <-----	15	DTR (ER) Data Terminal Ready
DSR	6	Brown	1 <-----	15	DTR (ER) Data Terminal Ready
RXD	2	Red	2 <-----	13	TXD (SD) Transmission Data
TXD	3	Orange	3 ----->	12	RXD (RD) Receive Data
DTR	4	Yellow	4 ----->	11	DCD (CD) Data Carrier Detect
GND	5	Green	5 <----->	8	GND
RTS	7	Violet	7 ----->	10	CTS (CS) Transmission Enable
CTS	8	Gray	8 <-----	14	RTS Transmission Request
	Shell	Shield <----->		Shell	